

Mesh

Right corner module

“2 Sides connection”

by Patricia Urquiola

**kettal**

# Right corner module “2 Sides connection”

Designer  
Patricia Urquiola

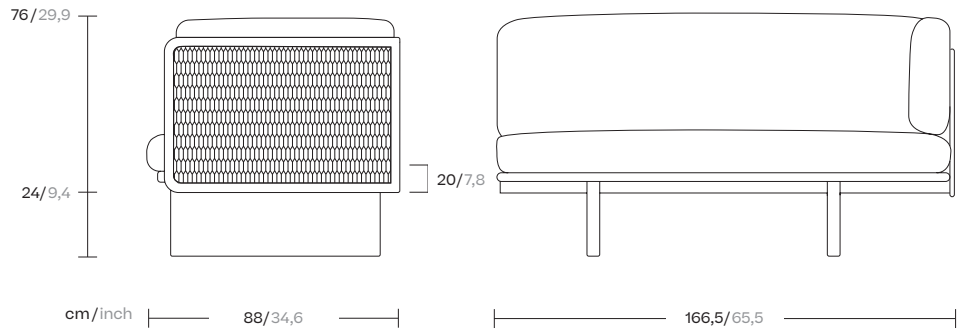
Collection  
Mesh

Reference  
KS1700500

1/2

Kettal Mesh collection recalls architectural facades, which filter the surrounding environment without stopping the light and air flow. Industrial and natural materials, hard and soft surfaces, transparent and solid volumes are putted face to face in order to create this family of outdoor furniture based in contrasts.

cm/inch



kettal

# Right corner module “2 Sides connection”

Designer  
Patricia Urquiola

Collection  
Mesh

Reference  
KS1700500

2/2

## Maintenance

---

Clean with mild soap using a sponge or cloth. Be gentle during the cleaning process; avoid aggressive scrubbing of the fabric. After cleaning, ensure you remove any excess soap.

For stubborn stains, use diluted household bleach. Act promptly to clean stains; the longer they linger, the more challenging they become to remove.

After cleaning, steam iron the fabric using only steam. Be cautious not to place the iron directly on the fabric, as it may cause damage.

## Finishes

---

[Click here](#) or scan the following QR code.



kettal